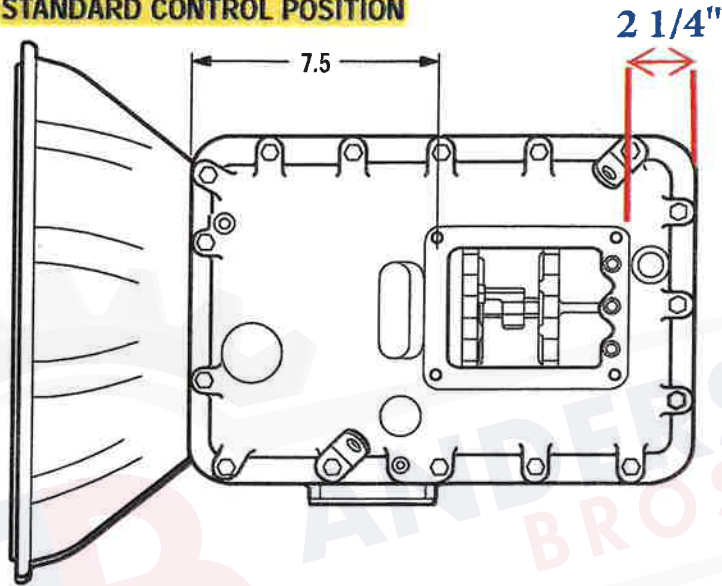


To determine if lid is standard or forward control position.....
measure lever opening location from back of stick casting to
back of lid casting as shown below.....

STANDARD CONTROL POSITION



FORWARD CONTROL POSITION

