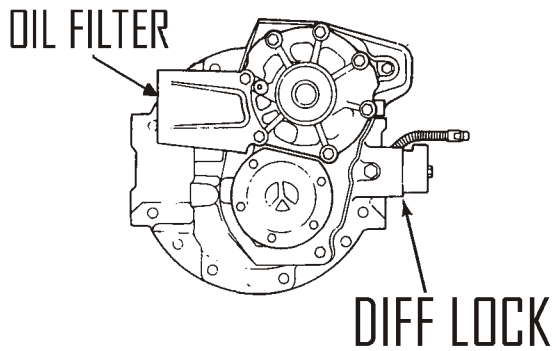


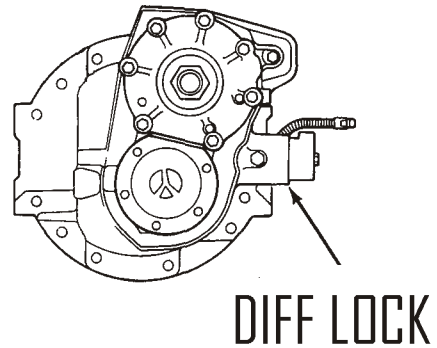
VISUAL IDENTIFICATION OF FORWARD CARRIERS

RPL SERIES



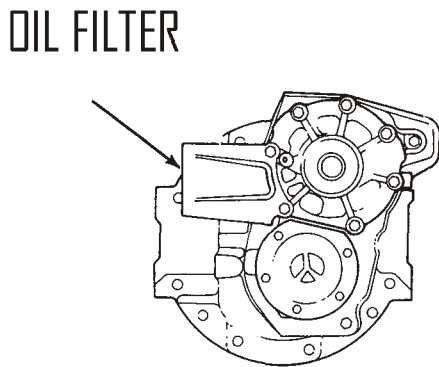
PUMP AND LOCK  
2 AIR LINES TO UNIT

RDL SERIES



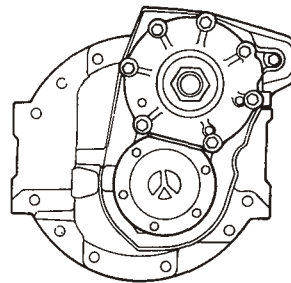
LOCK ONLY  
2 AIR LINES TO UNIT

RP SERIES



PUMP ONLY

RD SERIES



NO PUMP NO LOCK