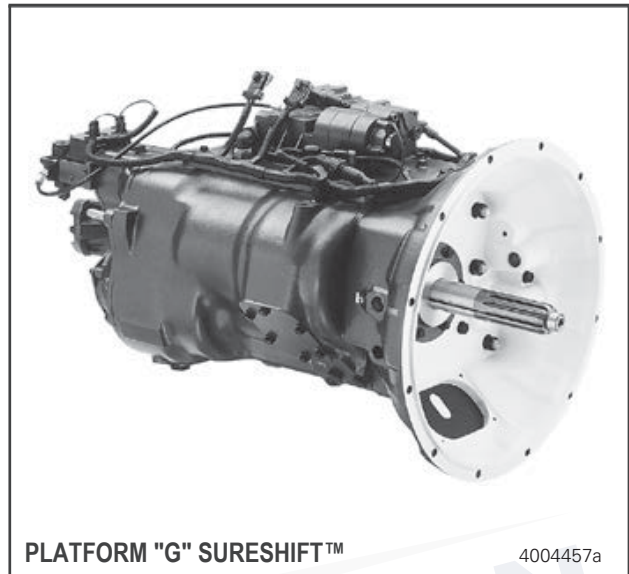
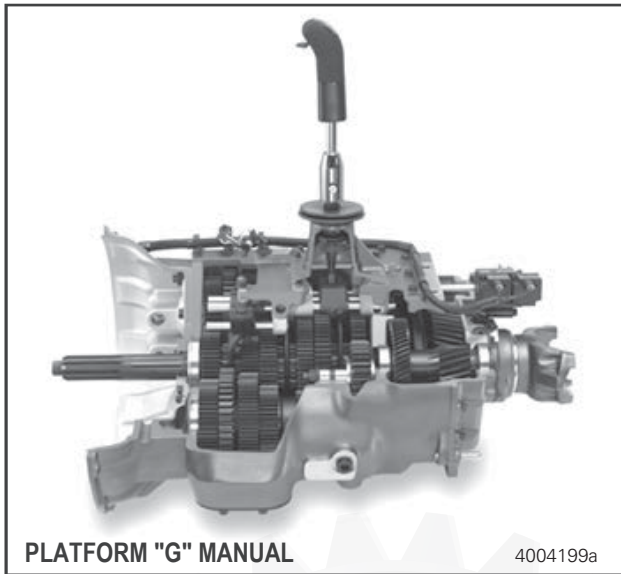


Meritor Transmission Identification

Platform "G"



Identification

An identification plate is installed on the right side of the platform "G" transmissions.

Model Nomenclature

MERITOR TRANSMISSION MODEL NUMBER

VEHICLE MANUFACTURER TRANSMISSION PART NUMBER

TRANSMISSION SERIAL NUMBER

MANUFACTURING DATE

These plugs indicate oil pump.

MERITOR MODEL NUMBER

M Meritor
O = Overdrive
No letter = Direct Drive

O Torque Rating (lb-ft)
11 = 1150
12 = 1250
13 = 1350
14 = 1450
15 = 1550
16 = 1650

16 Design Platform

G

10 Ratio
A
B
C
9 = 9-Speed
10 = 10-Speed

C

M M = Manual
S = SureShift™

18^① Vehicle Manufacturer Specification
Highest Torque in Transmission (lb-ft)
11 = 1150 15 = 1550
12 = 1250 16 = 1650
13 = 1350 18 = 1850
14 = 1450

002

① Progressive torque is an engine feature that requires a Torq-2 transmission. In models not featuring progressive torque, this number will be the same as the torque rating.
② Detroit Diesel Corporation