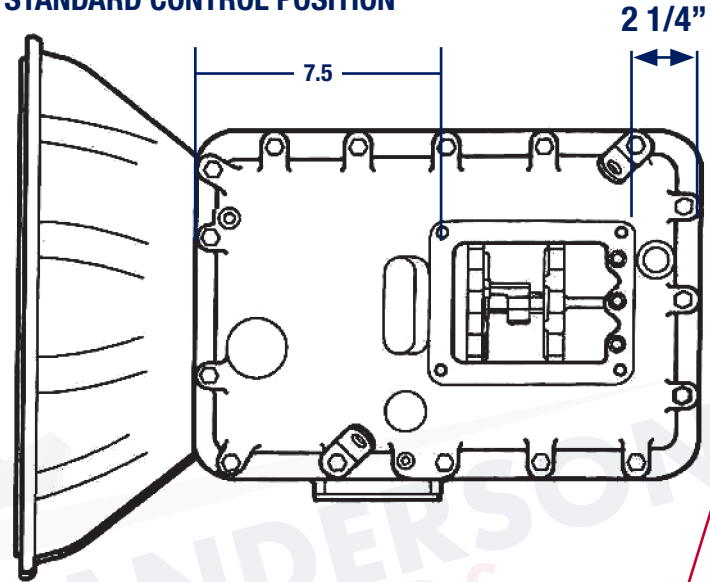


Bell Housing Identification

To determine if lid is standard or forward control position, measure lever opening location from back of stick casting to back of lid casting as shown below.



STANDARD CONTROL POSITION



FORWARD CONTROL POSITION

